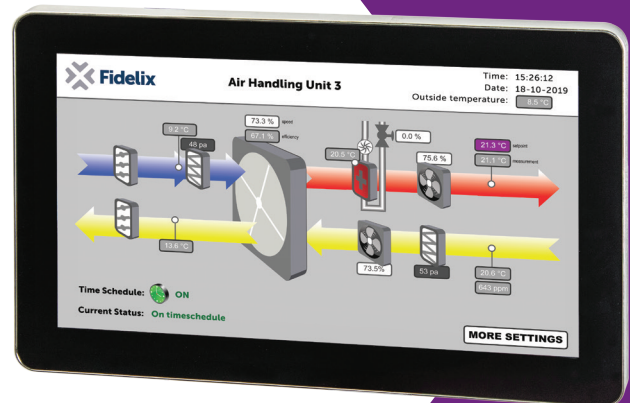




FdxCompact VISIO-15-C

15.6" touchscreen interface for FX-controller

- Full HD HMI running Android
- Multi-touch support
- Ethernet and Wi-Fi connection
- User friendly built-in application to connect to FX-controllers and other devices with a web interface



Connect and consult

The 15.6" touch screen Human Machine Interface display is the easiest way to consult your BMS. Installed onto the door of an automation cabinet, the VISIO-15-C is used to access the FX-controller in the cabinet, but also any other controller or TCP/IP connected device on the same network.

Providing easy access and a fast and secure connection to the controllers, the display is the perfect way to facilitate maintenance or support personnel in their handling with the building's systems.

Running on a familiar Android environment, all will naturally feel the display with ease and comfort.

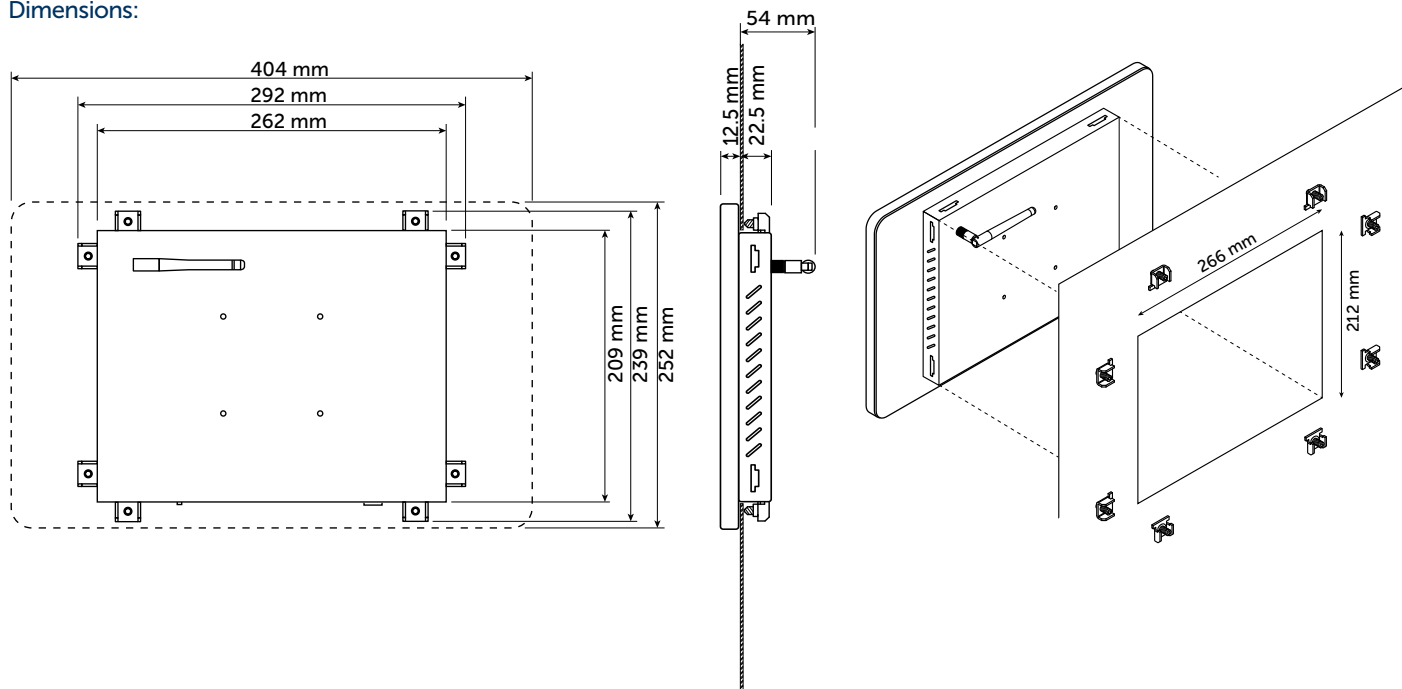
Technical features

Processor:	Rockchip RK3188 Quad Core Cortex-A9 1.6 GHz
Memory:	1 GB RAM, 8 GB SSD
Power consumption:	max 750mA @ 24VDC
Operating temperature:	0 to +40°C
Communication:	TCP/IP via Ethernet and/or Wi-Fi
IP-class:	44

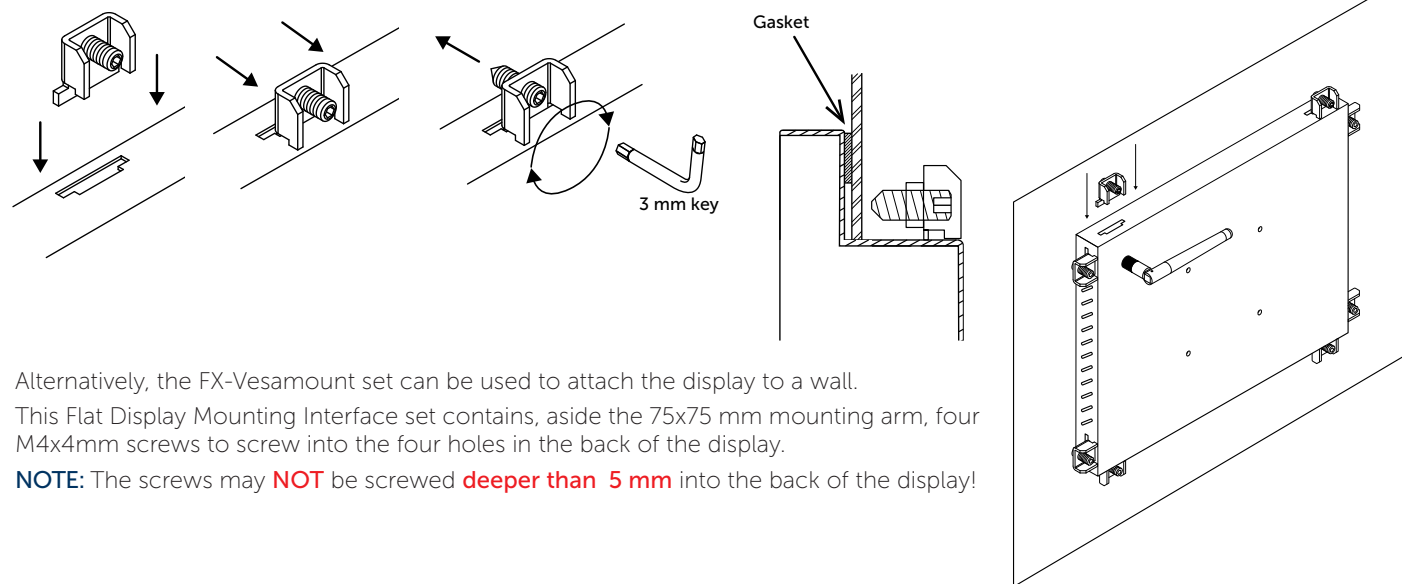
Screen size: 15.6 Inch
Aspect ratio: 16:9
Resolution: 1920 * 1080 pixels
Viewing angle: 85/85/85/85
Number of colours: 16.7 million
Contrast ration: 500:1
Brightness: 300 cd/ m²
Power supply voltage: 24 VDC (+/- 10%)
Power consumption: max. 750 mA (typically < 500 mA)
 (max. 18W @ 24 VDC)

CPU: Rockchip RK3188 Quad Core Cortex-A9 1.6 GHz
RAM: 1 GB DDR3
Storage: 8 GB NAND flash
Card slot: µSD cards up to 32 GB
Wi-Fi: 802.11b/g/n
Ethernet: 10/100 Mbps autodetect
USB: 2 x USB + 1 x miniUSB
IP-class: 44 (when door mounted)

Dimensions:



Installation:



Alternatively, the FX-Vesamount set can be used to attach the display to a wall. This Flat Display Mounting Interface set contains, aside the 75x75 mm mounting arm, four M4x4mm screws to screw into the four holes in the back of the display.

NOTE: The screws may **NOT** be screwed **deeper than 5 mm** into the back of the display!

Connections:

