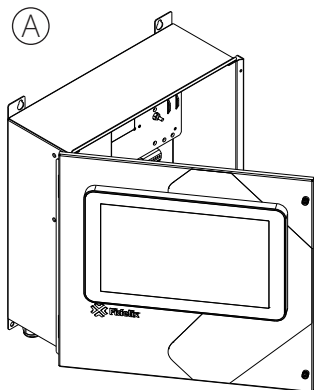


# Fidelix FX-SPIDER Mounting Instructions

## 1. Different mounting options

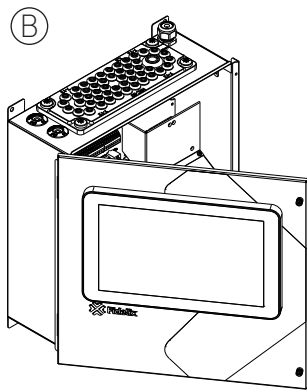
The FX-SPIDER's standard configuration is a door opening to the left (hinges on the left side), and the rubber cable entry plate facing downwards (see "A" below), but the FX-SPIDER can also be installed with cable entry facing upwards, and a door opening to the right side can be requested (with product code FX-SPX-RDOOR).

This means there are 4 different ways to mount and install the FX-SPIDER:

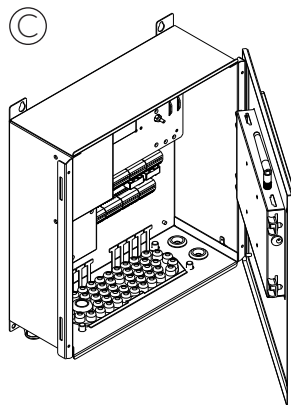


Cable entry plate facing downwards, door hinges on the left.

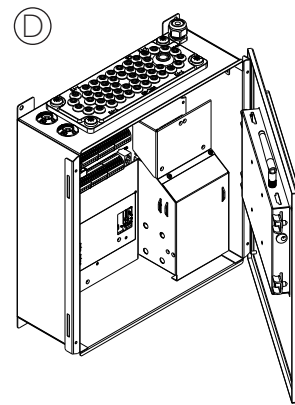
**This is the standard version.**



Cable entry plate facing upwards, door hinges on the left.



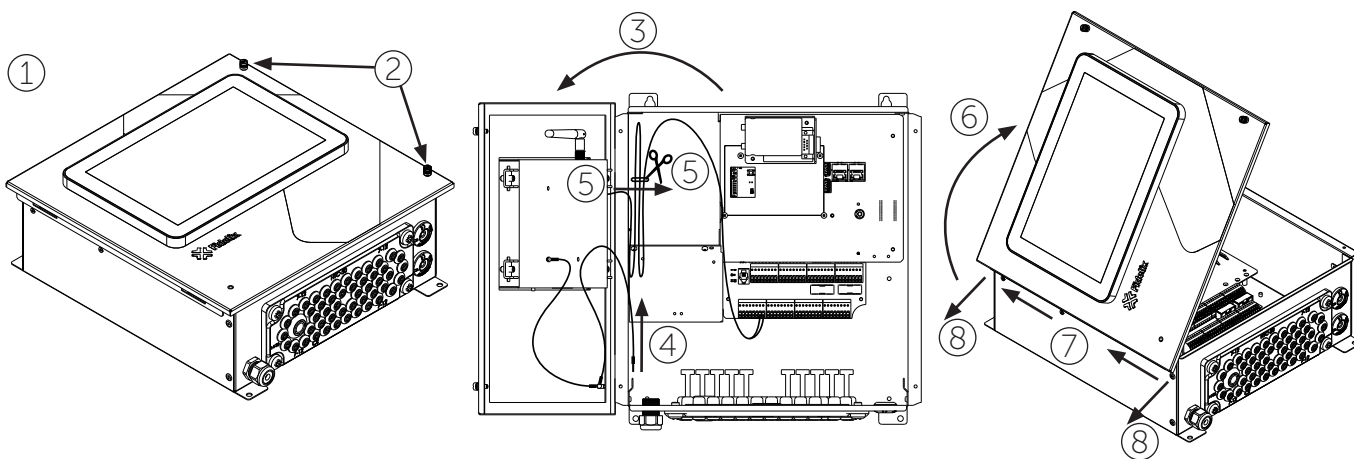
Cable entry plate facing downwards, door hinges on the right (using FX-SPX-RDOOR).



Cable entry plate facing upwards, door hinges on the right (using FX-SPX-RDOOR).

## 2. Detaching the door plate

To mount the FX-SPIDER differently than option "A", the door must be detached. **This may only be done on a device that has been de-energised.**



1. Place the device on a flat surface, its door facing upwards.

2. Screw open the door fasteners.

3. Open the door fully, so it is supported by its hinges.

4. Disconnect the door ground cable from the housing ground point.

5. Disconnect the power supply cable from the VISIO-10 panel and break the cable tie holding the cable (Models with VISIO-10 display only).

6. Slightly close the door.

7. Slide it all the way up in its hinges.

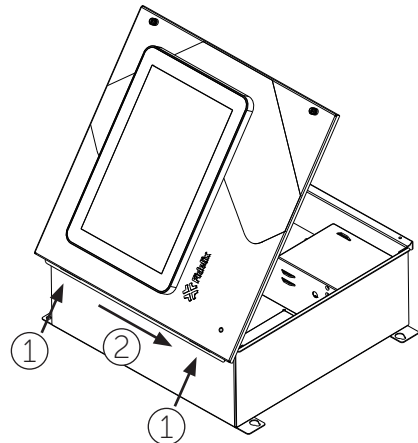
8. Remove the door by gently pulling it away from the housing.

Once the door detached, it can be attached the other side of the main box for installation with upwards facing cable entry plate, and/or exchanged with the FX-SPX-RDOOR with hinges on the right side.

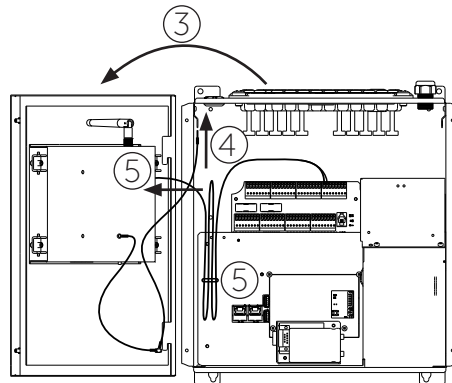
# Fidelix FX-SPIDER Mounting Instructions

## 3. Mounting option B: Cable entry plate at the top, door hinges on the left:

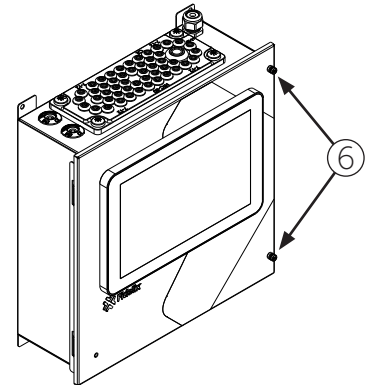
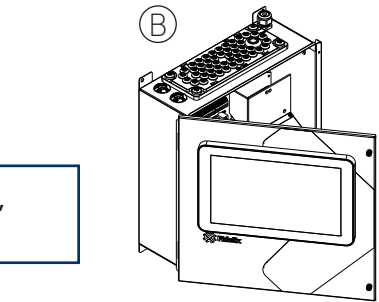
First follow the steps described in section 2 "Detaching the door plate", and then continue with following steps:



1. Flip the door and place it on the opposite side of the housing.
2. Lock the door in place by sliding it all the way down in the hinges.



3. Open the door fully, so it is supported by its hinges.  
Note. Do this carefully while making sure that the door is properly seated on its hinges.
4. Connect the door ground cable to the housing ground point.
5. (Display models only:) Connect the power supply cable to the VISIO-10 panel and secure the power supply cable with a cable tie to the housing.

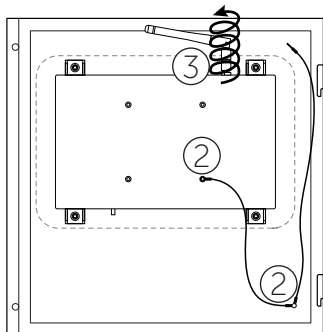


6. Close the door and secure it by screwing the door fasteners.
7. The unit is now ready to be mounted the cable entry plate facing upwards.

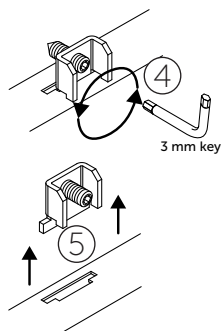
## 4. Mounting options C & D: Move the VISIO-10 display to the new door (FX-SPX-RDOOR):

When the door with hinges on the right is needed (product code: FX-SPX-RDOOR), and the FX-SPIDER-X has a display, it needs to be moved from the original left-hinged door to the new right-hinged one.

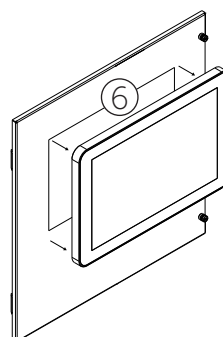
First follow the steps described in section 2 "Detaching the door plate", and then continue with following steps:



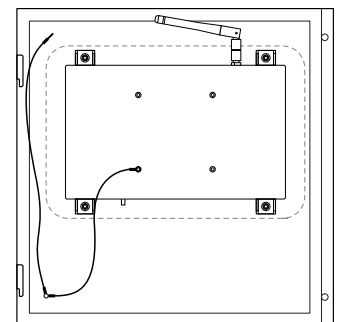
1. Place the removed door on a flat surface with the screen facing down.
2. Loosen the screw on the VISIO-10 ground cable and keep it close for reattachment later.
3. Remove the VISIO-10 antenna.



4. Unscrew the display brackets (4 pcs.) using a 3mm Allen key.
5. Remove the brackets from their holes.



6. Lift the door off the VISIO-10 panel.

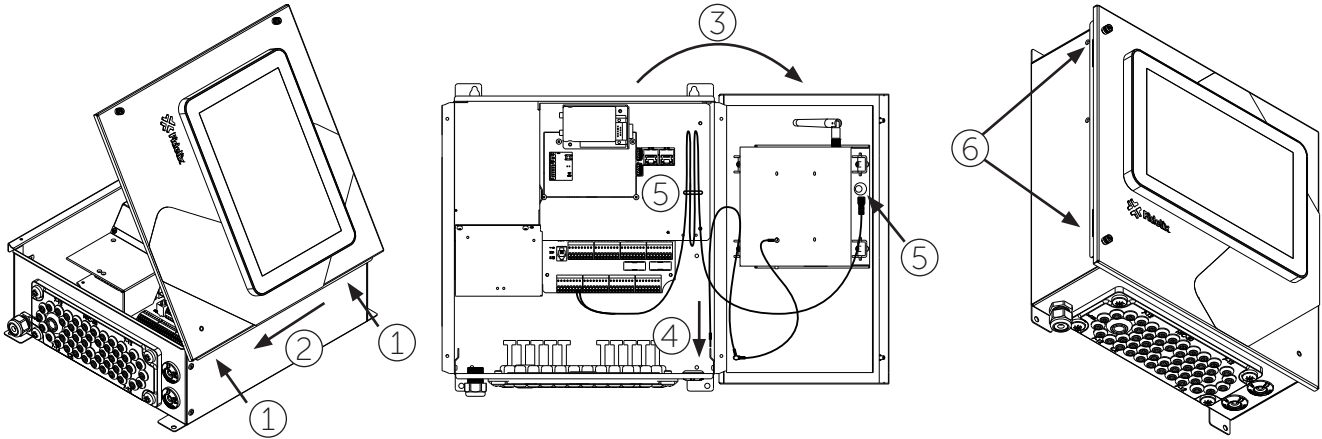
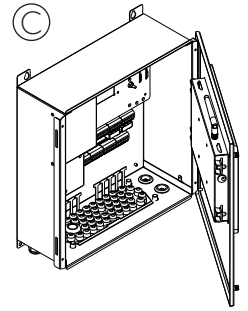


7. Place the right-hand door on the VISIO-10 panel and repeat the previous steps in reverse order.

## ► Fidelix FX-SPIDER Mounting Instructions

### 5. Mounting option C: Cable entry from the bottom, door hinges on the right:

First follow the steps described in section 2 "Detaching the door plate",  
(and - for a controller with VISIO-10-C display -  
section 4 "Move the VISIO-10 display to the new door").  
Only then continue with following steps:



1. Place the right-hinged door on the hinges on the right side of the housing.

2. Lock the door in place by sliding it all the way down in the hinges.

3. Open the door fully, so it is supported by its hinges.

**Note:** Do this carefully while making sure that the door is properly seated on its hinges.

4. Connect the door ground cable to the housing ground point.

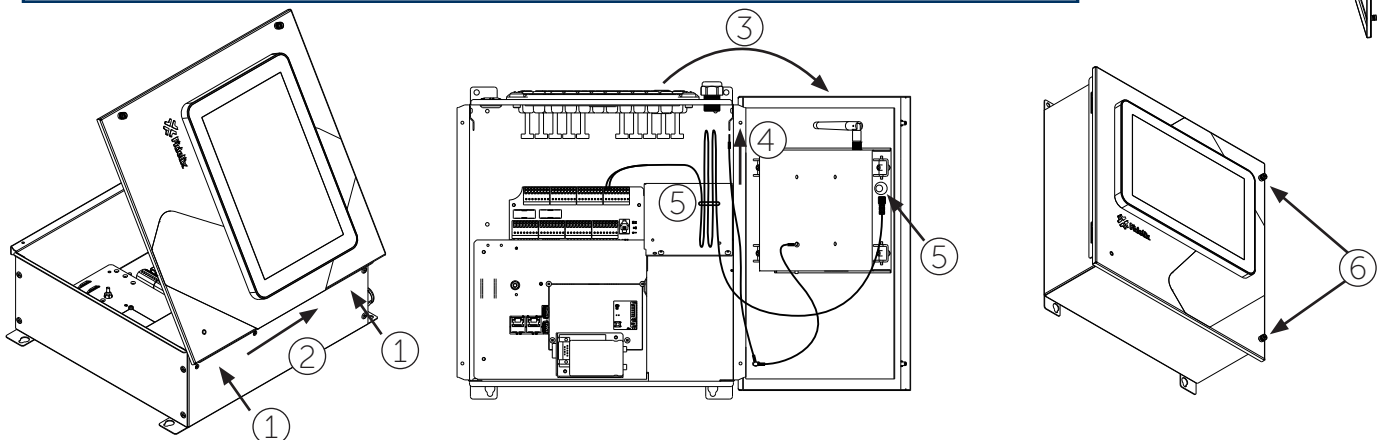
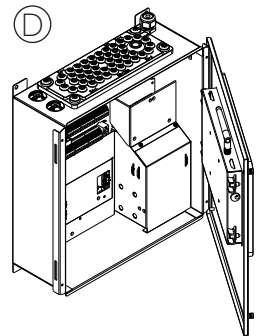
5. (Display models only:) Connect the power supply cable to the VISIO-10 panel and secure the power supply cable with a cable tie to the housing.

6. Close the door and secure it by screwing the door fasteners.

7. The unit is now ready to be mounted the cable entry plate facing downwards.

### 6. Mounting option D: Cable entry from the top, door hinges on the right:

First follow the steps described in section 2 "Detaching the door plate",  
(and - for a controller with VISIO-10 display -  
section 4 "Move the VISIO-10 display to the new door",)  
and then continue with following steps:



1. Place the right-hinged door on the hinges on the right side of the housing.

2. Lock the door in place by sliding it all the way down in the hinges.

3. Open the door fully, so it is supported by its hinges.

**Note:** Do this carefully while making sure that the door is properly seated on its hinges.

4. Connect the door ground cable to the housing ground point.

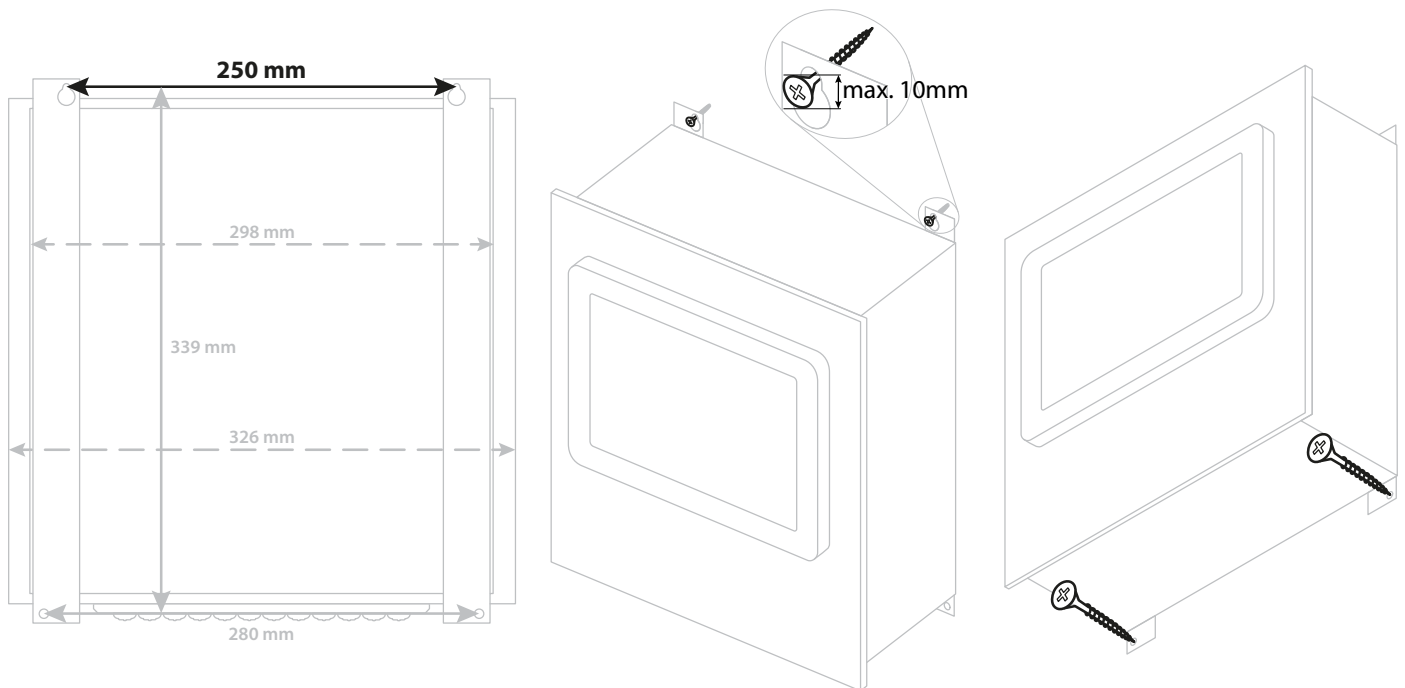
5. (Display models only:) Connect the power supply cable to the VISIO-10 panel and secure the power supply cable with a cable tie to the housing.

6. Close the door and secure it by screwing the door fasteners.

7. The unit is now ready to be mounted the cable entry plate facing upwards.

## ► Fidelix FX-SPIDER Mounting Instructions

### 7. Hanging the FX-SPIDER on the wall with cable entry from the bottom



Measure the locations for the top two installation holes in the wall: 250mm apart.

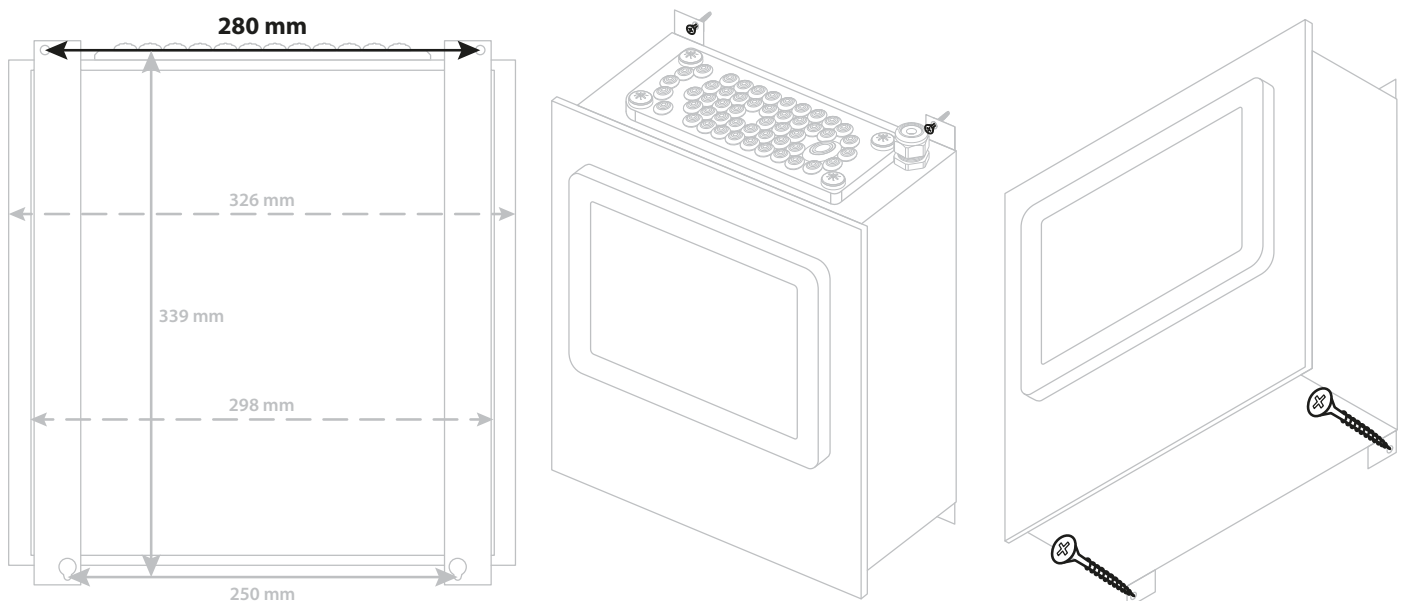
Screw the screws into the holes, leaving at least 2mm space between the back of the head of the screw and the wall. Use screws with heads with a diameter of maximum 10mm.

Hang the FX-SPIDER-40/10 controller onto the wall on those two screws, using the upper mounting brackets.

Secure the FX-SPIDER controller to the wall with screws in the two bottom mounting brackets.

This way the FX-SPIDER cannot be removed without tools, or accidentally lifted off the wall.

### 8. Hanging the FX-SPIDER on the wall with cable entry from the top



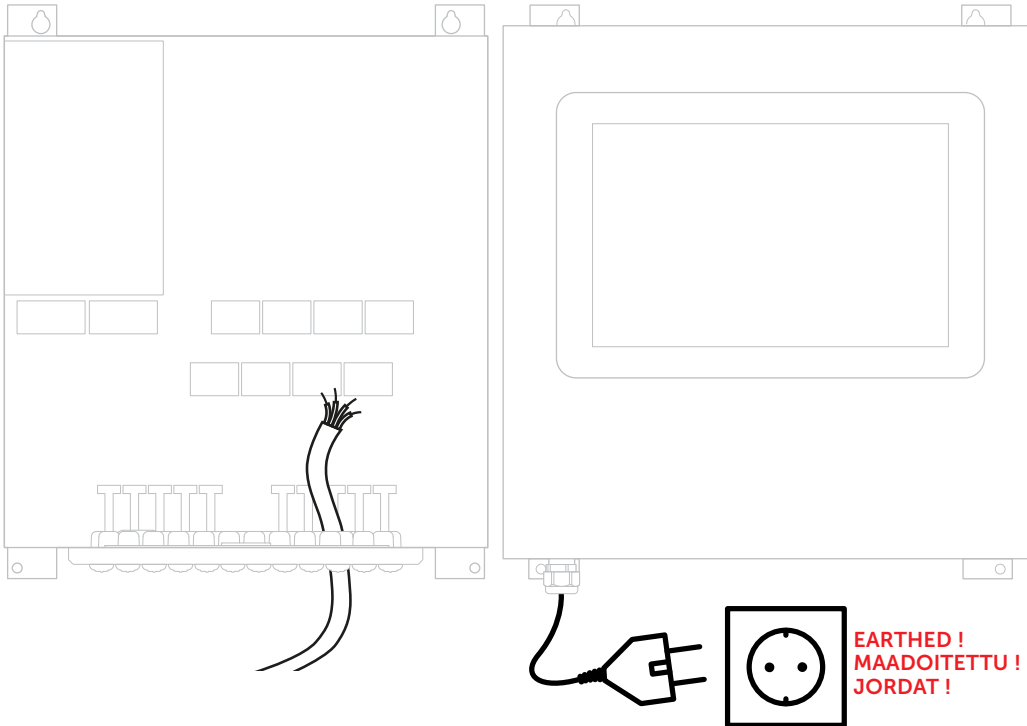
Measure the locations for the top two installation holes in the wall: 280mm apart.

Hold the FX-SPIDER controller in front of the holes in the wall, and screw both screws through the holes in the mounting brackets into the wall.

Secure the FX-SPIDER controller to the wall with screws in the two bottom mounting brackets for a more sturdy installation.

## ► Fidelix FX-SPIDER Mounting Instructions

### 9. Connecting I/O's and power supply



Push cables and wires from and to field devices through the rubber gland plate on the bottom of the controller.

Inside the metal casing, strip the cables and connect the wires to the I/O-connectors of the FX-SPIDER controller.

Cables can be anchored to the T-shaped metal fastening points with cable ties to relief strain from the end of the cables.

Connect the lead power cable to a grounded socket.

#### **IMPORTANT!**

The power supply cable also serves as the disconnect device for the controller.

This means the power supply cable must be connected to an easily accessible and **EARTHED mains socket-outlet !**

#### **TÄRKEÄÄ!**

Verkkovirtajohto toimii keskuksen verkkosyötön erotuslaitteena, se tulee kytkeä laitteen lähellä ja helposti käyttäjän ulottuvilla olevaan **MAADOITETTUUN pistorasiaan !**

#### **VIKTIGT!**

Strömkabeln fungerar även som huvudbrytare för enheten. Det innebär att strömkabeln måste vara lättåtkomlig och ansluten till ett **JORDAT uttag !**

**EARTHED !  
MAADOITETTU !  
JORDAT !**