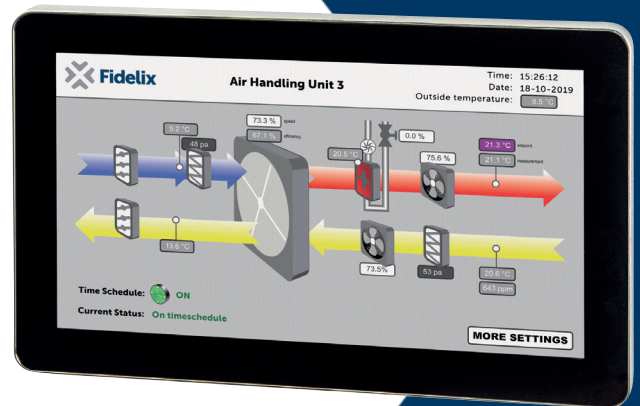




Fdx Compact VISIO-10-X

10.1" touchscreen HMI for Fidelix BMS

- HD HMI running Android
- Multi-touch support
- Ethernet and Wi-Fi connection
- User friendly built-in application to connect to Fidelix-controllers



Connect and visualize

The Visio-10-X touch screen Human Machine Interface display is an easy way to view and control your Fidelix BMS. The panel can be used to access Fidelix controllers in the same network. The panel can be freely installed either on a controller cabinet, like for example on the FX-Spider-40/10 or away from the controller closer to the users.

Providing easy access and a fast connection to the controllers, the panel is the perfect way to facilitate maintenance or support personnel in their handling with the building's systems.

With the integrated Fidelix VisioApp, configuring and using the Fidelix BMS is fast and easy.

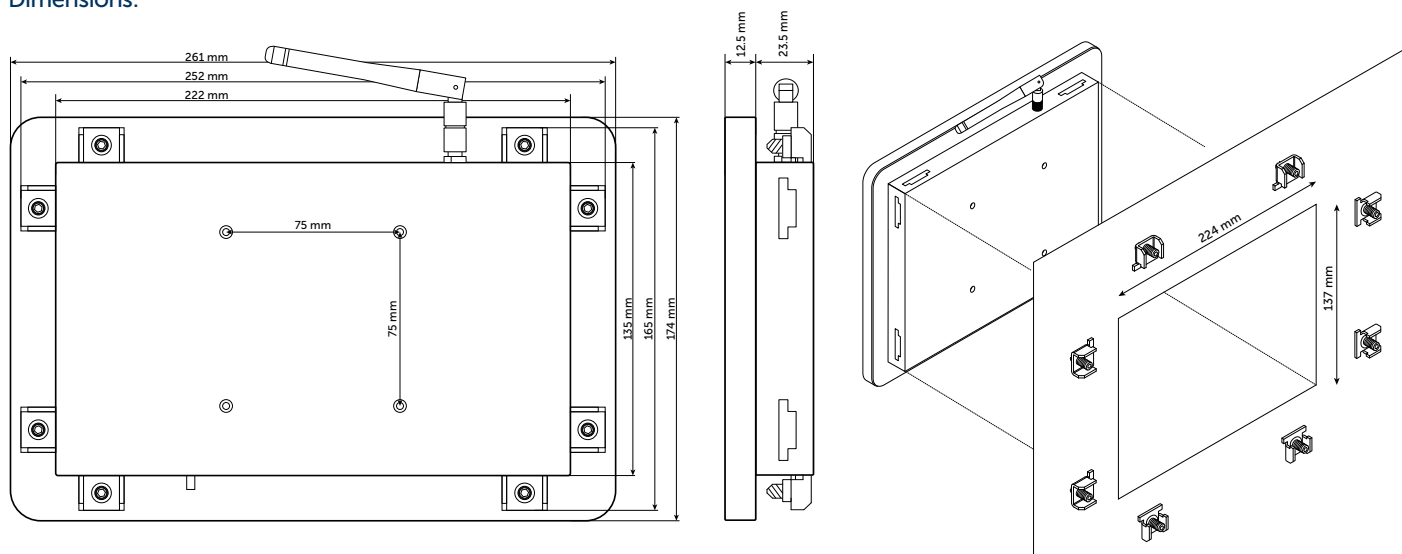


The Visio-10-X HMI featured on the Fidelix Spider-40/10 controller.

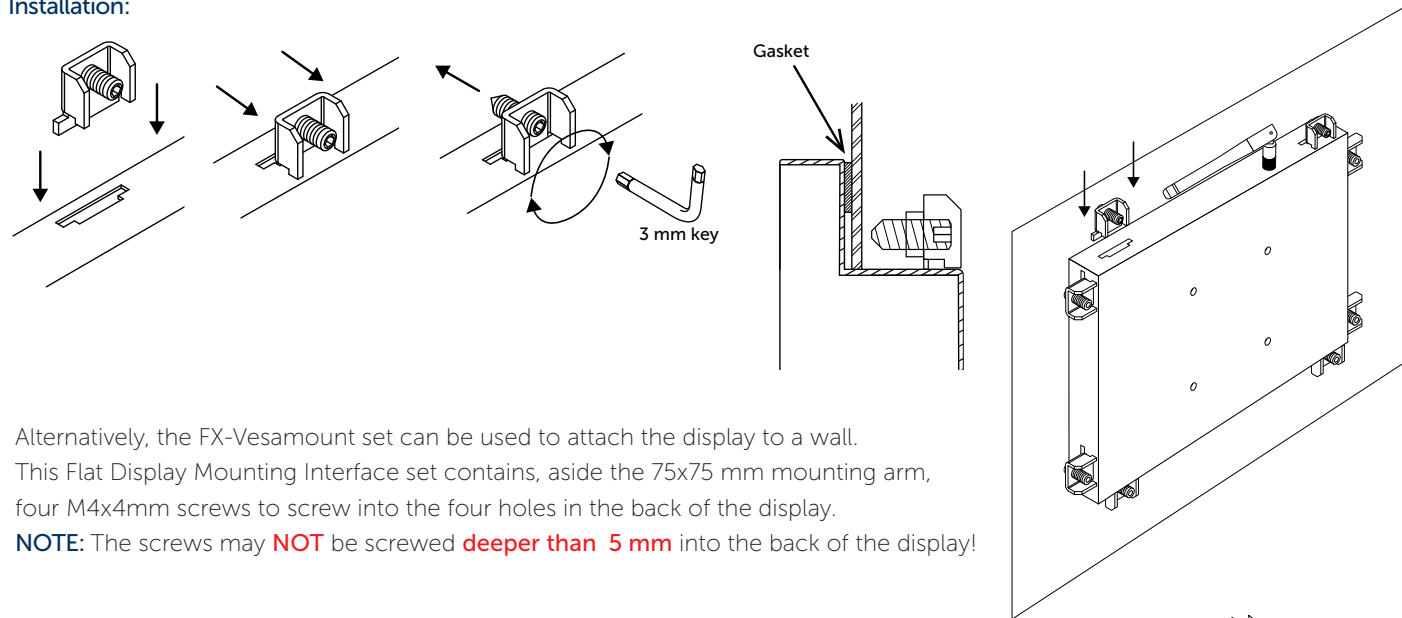
Screen size: 10.1 Inch
Aspect ratio: 16:10
Resolution: 1280 * 800 pixels
Viewing angle: 85/85/85/85
Number of colours: 16.7 million
Contrast ratio: 800:1
Brightness: 300 cd/ m²
Power supply voltage: 24 VDC (+/- 10%)
Power consumption: max. 750 mA (typically < 500 mA)
 (max. 18W @ 24 VDC)

CPU: Rockchip RK 3566, Quad-core Cortex-A55 1.8GHz
RAM: 2 GB DDR3
Storage: 16 GB NAND flash
OS: Android 11
Card slot: µSD cards up to 32 GB
Wi-Fi: 802.11b/g/n
Ethernet: 10/100 Mbps autodetect
USB: 2 x USB
IP-class: 44 (when door mounted)

Dimensions:



Installation:



Alternatively, the FX-Vesamount set can be used to attach the display to a wall. This Flat Display Mounting Interface set contains, aside the 75x75 mm mounting arm, four M4x4mm screws to screw into the four holes in the back of the display.
NOTE: The screws may **NOT** be screwed **deeper than 5 mm** into the back of the display!

Connections:

